



WRAS



kiwa



02

02



TIEMME

www.tiemme.com

COPYRIGHT

serie 1000 - 1100

**RACCORDI A
COMPRESSIONE
GIALLI E
NICHELATI CON
OGIVA IN OTTONE**

**YELLOW AND NICKEL-
PLATED COMPRESSION
FITTINGS WITH BRASS
RING**

RACCORDI A COMPRESSIONE CON OGIVA IN OTTONE

COMPRESSION FITTINGS WITH BRASS RING



ART. 1000

Filettatura ISO 7/EN 10226
Taper thread ISO 7/EN 10226
Standard GASTEC/KIWA

Raccordo diritto maschio
Straight fitting male

CODICE Code	TIPO Size	PREZZO Price €	CONF. Unit/Box
100 0110	10 x 1/4"	1,40	10/100
100 0080	10 x 3/8"	1,27	10/100
100 0057	10 x 1/2"	1,53	10/100
100 0152	12 x 1/4"	2,22	10/100
100 0091	12 x 3/8"	1,39	10/100
100 0038	12 x 1/2"	1,54	10/100
100 0070	15 x 3/8"	1,70	10/100
100 0011	15 x 1/2"	1,60	10/100
100 0064	15 x 3/4"	3,09	5/100
100 0065	22 x 1/2"	3,48	5/100
100 0009	22 x 3/4"	2,81	5/100
100 0071	22 x 1"	4,46	5/75
100 0078	28 x 3/4"	4,86	5/75
100 0042	28 x 1"	5,12	5/50



ART. 1100

Filettatura ISO 228 CILINDRICA
Parallel thread ISO 228

Raccordo diritto maschio
Straight fitting male

CODICE Code	TIPO Size	PREZZO Price €	CONF. Unit/Box
110 0124	08 x 1/4"	1,31	10/100
110 0136	08 x 3/8"	1,40	10/100
110 0019	10 x 1/2"	1,33	10/100
110 0206	14 x 3/8"	2,45	10/100
110 0072	14 x 1/2"	2,01	10/100
110 0188	15 x 1/4"	2,36	10/100
110 0001	15 x 1/2"	1,52	10/100
110 0023	15 x 3/4"	2,76	5/100
110 0214	16 x 3/8"	2,45	10/100
110 0044	16 x 1/2"	1,93	10/100
110 0118	16 x 3/4"	2,61	5/100
110 0009	18 x 1/2"	2,13	10/100
110 0011	18 x 3/4"	2,61	5/100
110 0034	22 x 1/2"	3,12	5/100
110 0002	22 x 3/4"	2,61	5/100
110 0017	22 x 1"	3,58	5/75
110 0008	28 x 1"	4,45	5/75
110 0100	28 x 1"1/4	14,13	1/50
110 0082	35 x 1"	14,15	1/50
110 0022	35 x 1"1/4	10,32	1/25
110 0069	42 x 1"1/2	15,28	1/25
110 0053	54 x 2"	23,09	1/10



ART. 1000N

Filettatura ISO 7/EN 10226
Taper thread ISO 7/EN 10226
Standard GASTEC/KIWA

Raccordo diritto maschio
Straight fitting male

CODICE Code	TIPO Size	PREZZO Price €	CONF. Unit/Box
100 0188	12 x 3/8"	1,41	10/100
100 0190	12 x 1/2"	1,68	10/100
100 0180	15 x 3/8"	1,87	10/100
100 0046	15 x 1/2"	1,78	10/100
100 0135	15 x 3/4"	3,41	5/100
100 0113	22 x 1/2"	3,82	5/100
100 0088	22 x 3/4"	3,14	5/100
100 0079	22 x 1"	4,91	5/75
100 0155	28 x 3/4"	5,31	5/75
100 0114	28 x 1"	5,63	5/50



ART. 1100N

Filettatura ISO 228 CILINDRICA
Parallel thread ISO 228

Raccordo diritto maschio
Straight fitting male

CODICE Code	TIPO Size	PREZZO Price €	CONF. Unit/Box
110 0040	15 x 1/2"	1,83	10/100
110 0080	15 x 3/4"	3,05	5/100
110 0081	18 x 1/2"	2,32	10/100
110 0031	18 x 3/4"	2,90	5/100
110 0132	22 x 1/2"	3,45	5/100
110 0036	22 x 3/4"	2,88	5/100
110 0086	28 x 1"	4,93	5/75
110 0108	35 x 1"1/4	11,35	1/25
110 0110	42 x 1"1/2	18,12	1/25
110 0125	54 x 2"	25,38	1/10



ART. 1100FD

Filettatura ISO 228 CILINDRICA
Parallel thread ISO 228

Raccordo diritto maschio con
battuta piana
Straight fitting male with flat seat

CODICE Code	TIPO Size	PREZZO Price €	CONF. Unit/Box
471 0023	15 x 1/2"	vedi cap. 22	10/100
471 0010	15 x 3/4"	vedi cap. 22	5/100
471 0048	16 x 1/2"	vedi cap. 22	10/100
471 0026	18 x 1/2"	vedi cap. 22	10/100
471 0009	18 x 3/4"	vedi cap. 22	5/100
471 0065	18 x 1"	vedi cap. 22	5/100
471 0066	22 x 1/2"	vedi cap. 22	5/100
471 0001	22 x 3/4"	vedi cap. 22	5/100
471 0007	22 x 1"	vedi cap. 22	5/75
471 0042	28 x 1"1/4	vedi cap. 22	1/50

RACCORDI A COMPRESSIONE CON OGIVA IN OTTONE

COMPRESSION FITTINGS WITH BRASS RING



ART. 1001

Standard GASTEC/KIWA

Raccordo dritto doppio
Straight fitting double

CODICE Code	TIPO Size	PREZZO Price €	CONF. Unit/Box
100 0045	10 x 10	1,48	10/100
100 0047	12 x 12	1,56	10/100
100 0004	15 x 15	1,94	10/100
100 0001	22 x 22	3,31	5/75
100 0032	28 x 28	5,33	5/50
100 0100	12 x 10	1,55	10/100
100 0106	15 x 10	2,12	10/100
100 0069	15 x 12	2,12	10/100
100 0044	22 x 15	3,85	5/100
100 0193	28 x 15	7,43	5/75
100 0089	28 x 22	5,41	5/50



ART. 1001N

Standard GASTEC/KIWA

Raccordo dritto doppio
Straight fitting double

CODICE Code	TIPO Size	PREZZO Price €	CONF. Unit/Box
100 0154	10 x 10	2,00	10/100
100 0036	12 x 12	1,73	10/100
100 0030	15 x 15	2,09	10/100
100 0037	22 x 22	3,68	5/75
100 0104	28 x 28	5,89	5/50
100 0223	12 x 10	2,16	10/100
100 0209	15 x 10	2,58	10/100
100 0184	15 x 12	2,31	10/100
100 0085	22 x 15	4,24	5/100
100 0226*	28 x 15	8,15	5/75
100 0111	28 x 22	5,94	5/50



ART. 1101

Raccordo dritto doppio
Straight fitting double

CODICE Code	TIPO Size	PREZZO Price €	CONF. Unit/Box
110 0063	08 x 08	1,93	10/100
110 0057	14 x 14	2,93	10/100
110 0116	16 x 16	2,84	10/100
110 0005	18 x 18	2,70	10/100
110 0064	35 x 35	13,80	1/25
110 0092	42 x 42	22,83	1/25
110 0061	54 x 54	30,23	1/10
110 0105	10 x 08	1,89	10/100
110 0157	15 x 08	2,73	10/100
110 0250	16 x 15	3,73	10/100
110 0195	18 x 12	4,98	10/100
110 0046	18 x 15	4,27	10/100
110 0060	22 x 18	4,26	5/100
110 0168	35 x 28	13,74	1/50
110 0219*	42 x 35	22,09	1/25



ART. 1101N

Raccordo dritto doppio
Straight fitting double

CODICE Code	TIPO Size	PREZZO Price €	CONF. Unit/Box
110 0021	18 x 18	3,01	10/100
110 0130	35 x 35	15,17	1/25
110 0134	42 x 42	25,12	1/25
110 0160	54 x 54	33,27	1/10
110 0010	18 x 15	4,72	10/100
110 0189	22 x 18	4,66	5/100
110 0185	35 x 28	15,14	1/50

*Fino ad esaurimento scorte / until out of stock

RACCORDI A COMPRESSIONE CON OGIVA IN OTTONE

COMPRESSION FITTINGS WITH BRASS RING



ART. 1002

Filettatura ISO 7/EN 10226
Taper thread ISO 7/EN 10226
Standard GASTEC/KIWA

Raccordo diritto femmina
Straight fitting female

CODICE Code	TIPO Size	PREZZO Price €	CONF. Unit/Box
100 0176	10 x 1/4"	1,66	10/100
100 0126	10 x 3/8"	1,56	10/100
100 0031	10 x 1/2"	1,71	10/100
100 0128	12 x 3/8"	1,88	10/100
100 0041	12 x 1/2"	2,01	10/100
100 0142	15 x 3/8"	1,78	10/100
100 0019	15 x 1/2"	1,92	10/100
100 0049	15 x 3/4"	3,11	5/100
100 0052	22 x 1/2"	3,53	5/100
100 0007	22 x 3/4"	2,69	5/100
100 0105	22 x 1"	4,25	5/75
100 0129	28 x 3/4"	6,66	5/50
100 0043	28 x 1"	4,61	5/50



ART. 1002N

Filettatura ISO 7/EN 10226
Taper thread ISO 7/EN 10226
Standard GASTEC/KIWA

Raccordo diritto femmina
Straight fitting female

CODICE Code	TIPO Size	PREZZO Price €	CONF. Unit/Box
100 0228	12 x 3/8"	2,02	10/100
100 0102	12 x 1/2"	2,24	10/100
100 0199	15 x 3/8"	1,96	10/100
100 0094	15 x 1/2"	2,12	10/100
100 0125	15 x 3/4"	3,44	5/100
100 0147	22 x 1/2"	3,88	5/100
100 0087	22 x 3/4"	3,04	5/100
100 0178	22 x 1"	4,67	5/75
100 0197	28 x 3/4"	7,34	5/50



ART. 1102

Filettatura ISO 228
Parallel thread ISO 228

Raccordo diritto femmina
Straight fitting female

CODICE Code	TIPO Size	PREZZO Price €	CONF. Unit/Box
110 0167	08 x 1/4"	1,52	10/100
110 0141	08 x 3/8"	1,64	10/100
110 0094	14 x 1/2"	2,27	10/100
110 0223	14 x 3/4"	3,17	5/100
110 0007	15 x 1/2"	1,63	10/100
110 0095	16 x 1/2"	2,21	10/100
110 0187	16 x 3/4"	3,03	5/100
110 0024	18 x 1/2"	2,58	10/100
110 0026	18 x 3/4"	3,04	5/100
110 0039	22 x 1"	3,90	5/75
110 0066	35 x 1"1/4	11,24	1/50
110 0099	42 x 1"1/2	15,65	1/25
110 0083	54 x 2"	28,16	1/10



ART. 1102N

Filettatura ISO 228
Parallel thread ISO 228

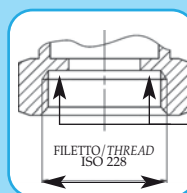
Raccordo diritto femmina
Straight fitting female

CODICE Code	TIPO Size	PREZZO Price €	CONF. Unit/Box
110 0076	15 x 1/2"	1,81	10/100
110 0112	18 x 1/2"	2,84	10/100
110 0016	18 x 3/4"	3,37	5/100
110 0201	22 x 1"	4,84	5/75
110 0158	35 x 1"1/4	12,36	1/50
110 0148	42 x 1"1/2	17,20	1/25
110 0177	54 x 2"	30,98	1/10



ART. 1102FD

Filettatura ISO 228
Parallel thread ISO 228
Raccordo diritto, dado e ogiva per
tubo rame, filettatura femmina con
sede piana.
Straight fitting, nut and compression
ring, female thread with flat seat



Sede piana per guarnizione piana
Flat seat for flat washer

CODICE Code	TIPO Size	PREZZO Price €	CONF. Unit/Box
471 0054	18 x 1/2"	vedi cap. 22	10/100
471 0044	22 x 1/2"	vedi cap. 22	5/100
471 0062	22 x 3/4"	vedi cap. 22	5/100
471 0055	22 x 1"	vedi cap. 22	5/50

RACCORDI A COMPRESSIONE CON OGIVA IN OTTONE

COMPRESSION FITTINGS WITH BRASS RING



ART. 1003

Standard GASTEC/KIWA

Raccordo curvo doppio
Elbow double

CODICE Code	TIPO Size	PREZZO Price €	CONFE. Unit/Box
100 0024	10 x 10	2,29	10/100
100 0029	12 x 12	2,15	10/100
100 0002	15 x 15	2,31	10/100
100 0003	22 x 22	3,76	5/75
100 0015	28 x 28	6,47	5/25
100 0145	12 x 10	2,58	10/100
1000107	15 x 12	2,88	10/100
100 0054	22 x 15	4,17	5/100
100 0148	28 x 22	7,42	5/50



ART. 1003N

Standard GASTEC/KIWA

Raccordo curvo doppio
Elbow double

CODICE Code	TIPO Size	PREZZO Price €	CONFE. Unit/Box
100 0211	10 x 10	2,52	10/100
100 0010	12 x 12	2,36	10/100
100 0006	15 x 15	2,64	10/100
100 0008	22 x 22	4,16	5/75
100 0058	28 x 28	7,65	5/25
100 0166	12 x 10	3,69	10/100
100 0181	15 x 10	3,67	10/100
100 0173	15 x 12	3,17	10/100
100 0090	22 x 15	4,58	5/100
100 0136	28 x 22	8,19	5/50



ART. 1103

Raccordo curvo doppio
Elbow double

CODICE Code	TIPO Size	PREZZO Price €	CONFE. Unit/Box
110 0120	08 x 08	2,70	10/100
110 0156	14 x 14	3,52	10/100
110 0144	16 x 16	3,30	10/100
110 0003	18 x 18	3,38	10/100
110 0049	35 x 35	21,50	1/25
110 0078	42 x 42	26,84	1/20
110 0079	18 x 15	4,77	10/100
110 0056	22 x 18	5,81	5/75



ART. 1103N

Raccordo curvo doppio
Elbow double

CODICE Code	TIPO Size	PREZZO Price €	CONFE. Unit/Box
110 0012	18 x 18	3,73	10/100
110 0048	35 x 35	23,69	1/25
110 0070	42 x 42	29,54	1/20
110 0089*	54 x 54	43,97	1/10
110 0193*	18 x 15	5,27	10/100
110 0184	22 x 18	6,12	5/75



ART. 1133

Raccordo curvo doppio
tubo rame / tubo pex
Elbow double copper pipe
/ pex pipe connection

CODICE Code	TIPO Size	PREZZO Price €	CONFE. Unit/Box
471 0067	22 (Cu)/18 sp. 2,0 (Pex)	vedi cap. 22	5/100
471 0027	22 (Cu)/18 sp. 2,5 (Pex)	vedi cap. 22	5/100
471 0008	22 (Cu)/22 sp. 3,0 (Pex)	vedi cap. 22	5/100

*Fino ad esaurimento scorte / until out of stock

RACCORDI A COMPRESSIONE CON OGIVA IN OTTONE

COMPRESSION FITTINGS WITH BRASS RING



ART. 1004

Filettatura ISO 7/EN 10226
Taper thread ISO 7/EN 10226
Standard GASTEC/KIWA

Raccordo curvo maschio
Elbow male

CODICE Code	TIPO Size	PREZZO Price €	CONF. Unit/Box
100 0169	10 x 3/8"	2,44	10/100
100 0130	12 x 3/8"	2,40	10/100
100 0077	12 x 1/2"	2,70	10/100
100 0027	15 x 1/2"	2,74	10/100
100 0063	15 x 3/4"	4,18	5/100
100 0140	22 x 1/2"	5,07	5/100
100 0018	22 x 3/4"	5,23	5/75
100 0099	22 x 1"	7,31	5/50
100 0187	28 x 3/4"	9,93	5/50
100 0109	28 x 1"	6,52	5/50



ART. 1004N

Filettatura ISO 7/EN 10226
Taper thread ISO 7/EN 10226
Standard GASTEC/KIWA

Raccordo curvo maschio
Elbow male

CODICE Code	TIPO Size	PREZZO Price €	CONF. Unit/Box
100 0153	12 x 3/8"	2,65	10/100
100 0201	12 x 1/2"	2,98	10/100
100 0075	15 x 1/2"	2,99	10/100
100 0172	15 x 3/4"	4,59	5/100
100 0234*	22 x 1/2"	5,60	5/100
100 0120	22 x 3/4"	5,75	5/75
100 0131	22 x 1"	8,04	5/50
100 0205	28 x 3/4"	10,95	5/50
100 0159	28 x 1"	7,15	5/50



ART. 1104

Filettatura ISO 228
Parallel thread ISO 228

Raccordo curvo maschio
Elbow male

CODICE Code	TIPO Size	PREZZO Price €	CONF. Unit/Box
110 0228	08 x 3/8"	2,76	10/100
110 0042	10 x 1/2"	2,71	10/100
110 0175	15 x 3/8"	4,63	10/100
110 0015	15 x 1/2"	2,60	10/100
110 0085	15 x 3/4"	4,39	5/75
110 0051	18 x 1/2"	3,90	10/100
110 0037	18 x 3/4"	4,23	5/75
110 0068	22 x 1/2"	4,24	5/100
110 0020	22 x 3/4"	4,31	5/75
110 0038	22 x 1"	6,78	5/50
110 0169	28 x 3/4"	9,61	5/50
110 0035	28 x 1"	6,64	5/50
110 0202*	35 x 1"	18,50	1/25
110 0074	35 x 1"1/4	18,54	1/25
110 0106	42 x 1"1/2	24,37	1/25



ART. 1104N

Filettatura ISO 228
Parallel thread ISO 228

Raccordo curvo maschio
Elbow male

CODICE Code	TIPO Size	PREZZO Price €	CONF. Unit/Box
110 0047	15 x 1/2"	2,97	10/100
110 0090	15 x 3/4"	4,81	5/75
110 0131	18 x 1/2"	4,28	10/100
110 0058	18 x 3/4"	4,70	5/75
110 0183	22 x 1/2"	4,63	5/100
110 0087	22 x 3/4"	4,72	5/75
110 0151	28 x 1"	7,31	5/50
110 0191*	35 x 1"1/4	20,38	1/25



ART. 1104FD

Filettatura ISO 228
Parallel thread ISO 228

Raccordo curvo maschio
con battuta piana
Elbow male with flat seat

CODICE Code	TIPO Size	PREZZO Price €	CONF. Unit/Box
471 0021	15 x 3/4"	vedi cap. 22	5/75
471 0059	16 x 3/4"	vedi cap. 22	5/100
471 0006	18 x 3/4"	vedi cap. 22	5/75
471 0002	22 x 3/4"	vedi cap. 22	5/75
471 0032	22 x 1"	vedi cap. 22	5/50

*Fino ad esaurimento scorte/ until out of stock

RACCORDI A COMPRESSIONE CON OGIVA IN OTTONE

COMPRESSION FITTINGS WITH BRASS RING



ART. 1005

Filettatura ISO 7/EN 10226
Taper thread ISO 7/EN 10226
Standard GASTEC/KIWA

Raccordo curvo femmina
Elbow female

CODICE Code	TIPO Size	PREZZO Price €	CONF. Unit/Box
100 0164	12 x 3/8"	3,35	10/100
100 0073	12 x 1/2"	2,40	10/100
100 0157	15 x 3/8"	3,85	10/100
100 0016	15 x 1/2"	2,37	10/100
100 0067	15 x 3/4"	4,61	5/75
100 0084	22 x 1/2"	3,90	5/100
100 0017	22 x 3/4"	4,36	5/75
100 0053	22 x 1"	6,50	5/50
100 0156	28 x 3/4"	8,06	5/50
100 0074	28 x 1"	7,14	5/25



ART. 1005N

Filettatura ISO 7/EN 10226
Taper thread ISO 7/EN 10226
Standard GASTEC/KIWA

Raccordo curvo femmina
Elbow female

CODICE Code	TIPO Size	PREZZO Price €	CONF. Unit/Box
100 0206	12 x 3/8"	3,85	10/100
100 0202	15 x 3/8"	4,24	10/100
100 0048	15 x 1/2"	2,56	10/100
100 0141	15 x 3/4"	5,06	5/75
100 0137	22 x 1/2"	4,30	5/100
100 0076	22 x 3/4"	4,83	5/75
100 0167	22 x 1"	7,15	5/50
100 0210	28 x 3/4"	8,87	5/50
100 0144	28 x 1"	7,89	5/25



ART. 1105

Filettatura ISO 228
Parallel thread ISO 228

Raccordo curvo femmina
Elbow female

CODICE Code	TIPO Size	PREZZO Price €	CONF. Unit/Box
110 0152	10 x 3/8"	4,00	10/100
110 0054	10 x 1/2"	2,43	10/100
110 0111	14 x 1/2"	2,88	10/100
110 0138	16 x 1/2"	2,88	10/100
110 0041	18 x 1/2"	3,31	10/100
110 0018	18 x 3/4"	4,48	5/75
110 0109	35 x 1"1/4	18,50	1/25
110 0128	42 x 1"1/2	24,15	1/20
110 0200	54 x 2"	39,56	1/10



ART. 1105N

Filettatura ISO 228
Parallel thread ISO 228

Raccordo curvo femmina
Elbow female

CODICE Code	TIPO Size	PREZZO Price €	CONF. Unit/Box
110 0075	18 x 1/2"	3,47	10/100
110 0107	18 x 3/4"	4,93	5/75
110 0172	35 x 1"1/4	20,34	1/25
110 0178	42 x 1"1/2	26,56	1/25
110 0211	54 x 2"	43,50	1/10

RACCORDI A COMPRESSIONE CON OGIVA IN OTTONE

COMPRESSION FITTINGS WITH BRASS RING



ART. 1106

Filettatura ISO 228
Parallel thread ISO 228
Raccordo curvo femmina con
flangia a 3 fori
Wallplate elbow female with 3 holes

CODICE Code	TIPO Size	PREZZO Price €	CONF. Unit/Box
110 0065	10 x 1/2"	3,23	10/100
110 0043	12 x 1/2"	3,23	10/100
110 0149	14 x 1/2"	3,37	10/100
110 0004	15 x 1/2"	3,02	10/80
110 0208	15 x 3/4"	8,15	5/50
110 0180	16 x 1/2"	3,39	10/100
110 0091	18 x 1/2"	6,62	5/50
110 0142	18 x 3/4"	8,25	5/50
110 0137	22 x 1/2"	6,80	5/50
110 0084	22 x 3/4"	8,33	5/50



ART. 1106N

Filettatura ISO 228
Parallel thread ISO 228
Raccordo curvo femmina con
flangia a 3 fori
Wallplate elbow female with 3 holes

CODICE Code	TIPO Size	PREZZO Price €	CONF. Unit/Box
110 0030	15 x 1/2"	3,32	10/80
110 0236*	15 x 3/4"	8,94	5/50
110 0088	18 x 1/2"	7,31	5/50
110 0181	18 x 3/4"	9,06	5/50
110 0162	22 x 1/2"	7,46	5/50
110 0103	22 x 3/4"	9,15	5/50

*Fino ad esaurimento scorte/ until out of stock

RACCORDI A COMPRESSIONE CON OGIVA IN OTTONE

COMPRESSION FITTINGS WITH BRASS RING



ART. 1007
Standard GASTEC/KIWA
Raccordo a T
Tee

CODICE Code	TIPO/Size	PREZZO Price €	CONE. Unit/Box
	1 2 3		
100 0061	10 x 10 x 10	3,16	10/100
100 0050	12 x 12 x 12	3,10	10/100
100 0005	15 x 15 x 15	3,41	10/100
100 0013	22 x 22 x 22	5,78	5/50
100 0060	28 x 28 x 28	9,33	5/25
100 0151	12 x 15 x 12	4,78	10/100
100 0177	15 x 12 x 12	4,78	10/100
100 0116	15 x 12 x 15	5,14	10/100
100 0185	15 x 15 x 12	4,46	10/100
100 0133	15 x 22 x 15	5,75	5/50
100 0086	22 x 15 x 15	4,84	5/50
100 0020	22 x 15 x 22	5,00	5/50
100 0056	22 x 22 x 15	5,68	5/50
100 0212	22 x 28 x 22	10,95	5/25
100 0216	28 x 15 x 22	12,67	5/25
100 0108	28 x 15 x 28	8,36	5/25
100 0174	28 x 22 x 22	10,09	5/25
100 0103	28 x 22 x 28	8,88	5/25
100 0189	28 x 28 x 15	10,55	5/25
100 0183	28 x 28 x 22	10,95	5/25



ART. 1007N
Standard GASTEC/KIWA
Raccordo a T
Tee

CODICE Code	TIPO/Size	PREZZO Price €	CONE. Unit/Box
	1 2 3		
100 0224	10 x 10 x 10	3,48	10/100
100 0192	12 x 12 x 12	3,43	10/100
100 0025	15 x 15 x 15	3,81	10/100
100 0040	22 x 22 x 22	6,34	5/50
100 0119	28 x 28 x 28	10,87	5/25
100 0235*	12 x 15 x 12	5,27	10/100
100 0229*	15 x 12 x 12	5,27	10/100
100 0219	15 x 12 x 15	5,67	10/100
100 0227*	15 x 15 x 12	4,91	10/100
100 0123	15 x 22 x 15	6,34	5/50
100 0081	22 x 15 x 15	5,32	5/50
100 0033	22 x 15 x 22	5,49	5/50
100 0068	22 x 22 x 15	6,23	5/50
100 0191*	22 x 28 x 22	12,05	5/25
100 0213*	28 x 15 x 22	13,98	5/25
100 0118	28 x 15 x 28	9,18	5/25
100 0161	28 x 22 x 22	11,10	5/25
100 0138	28 x 22 x 28	9,78	5/25
100 0195	28 x 28 x 15	11,63	5/25
100 0170	28 x 28 x 22	12,05	5/25



ART. 1107
Raccordo a T
Tee

CODICE Code	TIPO/Size	PREZZO Price €	CONE. Unit/Box
	1 2 3		
110 0139	08 x 08 x 08	4,24	10/100
110 0171	14 x 14 x 14	5,67	10/100
110 0166	16 x 16 x 16	5,89	10/80
110 0032	18 x 18 x 18	5,23	5/50
110 0093	35 x 35 x 35	21,23	1/20
110 0121	42 x 42 x 42	33,12	1/15
110 0135*	54 x 54 x 54	54,48	1/7
110 0192	18 x 15 x 15	7,21	5/75
110 0104	18 x 15 x 18	6,74	5/75
110 0216	18 x 18 x 15	6,96	5/75
110 0209	22 x 18 x 18	9,06	5/50
110 0146	22 x 18 x 22	9,51	5/50
110 0224	22 x 22 x 18	8,75	5/50
110 0237*	28 x 35 x 28	22,66	1/25
110 0213	35 x 22 x 35	21,71	1/20



ART. 1107N
Raccordo a T
Tee

CODICE Code	TIPO/Size	PREZZO Price €	CONE. Unit/Box
	1 2 3		
110 0052	18 x 18 x 18	5,78	5/50
110 0153	35 x 35 x 35	23,36	1/20
110 0155	42 x 42 x 42	36,43	1/15
110 0129	54 x 54 x 54	59,91	1/7
110 0170	18 x 15 x 15	7,92	5/75
110 0114	18 x 15 x 18	7,64	5/75
110 0186	18 x 18 x 15	7,64	5/75
110 0199*	22 x 18 x 18	9,95	5/50
110 0165	22 x 18 x 22	10,49	5/50
110 0196	22 x 22 x 18	9,65	5/50
110 0154	35 x 22 x 35	23,87	1/20



*Fino ad esaurimento scorte / until out of stock

RACCORDI A COMPRESSIONE CON OGIVA IN OTTONE

COMPRESSION FITTINGS WITH BRASS RING



ART. 1009

Filettatura ISO 7/EN 10226
Taper thread ISO 7/EN 10226
Standard GASTEC/KIWA

Raccordo a T femmina
Tee female

CODICE Code	TIPO Size	PREZZO Price €	CONF. Unit/Box
100 0132	12 x 3/8" x 12	6,52	10/100
100 0093	12 x 1/2" x 12	4,07	10/100
100 0200	15 x 1/4" x 15	5,04	10/100
100 0023	15 x 1/2" x 15	3,84	10/100
100 0014	22 x 1/2" x 22	5,38	5/50
100 0066	22 x 3/4" x 22	7,35	5/50
100 0194	22 x 1" x 22	12,01	5/25
100 0101	28 x 1/2" x 28	10,86	5/25
100 0117	28 x 3/4" x 28	11,27	5/25
100 0127	28 x 1" x 28	12,20	5/25



ART. 1009N

Filettatura ISO 7/EN 10226
Taper thread ISO 7/EN 10226
Standard GASTEC/KIWA

Raccordo a T femmina
Tee female

CODICE Code	TIPO Size	PREZZO Price €	CONF. Unit/Box
100 0214	15 x 1/4" x 15	5,57	10/100
100 0051	15 x 1/2" x 15	4,22	10/100
100 0021	22 x 1/2" x 22	5,91	5/50
100 0122	22 x 3/4" x 22	8,08	5/50
100 0124	28 x 1/2" x 28	11,95	5/25
100 0179	28 x 3/4" x 28	12,39	5/25
100 0175	28 x 1" x 28	13,40	5/25



ART. 1109

Filettatura ISO 228
Parallel thread ISO 228

Raccordo a T femmina
Tee female

CODICE Code	TIPO Size	PREZZO Price €	CONF. Unit/Box
110 0204	14 x 1/2" x 14	4,43	10/100
110 0190	16 x 1/2" x 16	4,43	10/90
110 0071	18 x 1/2" x 18	5,20	5/50
110 0059	18 x 3/4" x 18	6,66	5/50
110 0174	35 x 1"1/4 x 35	28,74	1/20
110 0234*	42 x 1"1/2 x 42	31,71	1/15



ART. 1109N

Filettatura ISO 228
Parallel thread ISO 228

Raccordo a T femmina
Tee female

CODICE Code	TIPO Size	PREZZO Price €	CONF. Unit/Box
110 0098	18 x 1/2" x 18	5,72	5/50
110 0203	18 x 3/4" x 18	7,30	5/50
110 0147	35 x 1"1/4 x 35	31,61	1/20
110 0145*	42 x 1"1/2 x 42	34,90	1/15



ART. 1108

Filettatura ISO 228
Parallel thread ISO 228

Raccordo a T maschio
Tee male

CODICE Code	TIPO Size	PREZZO Price €	CONF. Unit/Box
110 0096	15 x 1/2" x 15	4,30	10/100
110 0207	18 x 1/2" x 18	6,20	10/50
110 0067	22 x 3/4" x 22	11,58	5/50



ART. 1138

Raccordo a T tubo rame/
tubo Pe-x / tubo rame
Tee copper pipe / Pe-x pipe
/ copper pipe connection

CODICE Code	TIPO Size	PREZZO Price €	CONF. Unit/Box
471 0037	22(Cu)/18 sp. 2,5 (Pex)/22(Cu)	vedi cap. 22	5/50
471 0025	22(Cu)/22 sp. 3,0 (Pex)/22(Cu)	vedi cap. 22	5/50

*Fino ad esaurimento scorte / until out of stock

RACCORDI A COMPRESSIONE CON OGIVA IN OTTONE

COMPRESSION FITTINGS WITH BRASS RING



ART. 1010
Standard GASTEC/KIWA
Croce
Cross

CODICE Code	TIPO Size	PREZZO Price €	CONF. Unit/Box
100 0059	15 x 15 x 15 x 15	7,82	5/50
100 0082	22 x 22 x 22 x 22	11,84	5/25
100 0215	28 x 28 x 28 x 28	21,46	1/25
100 0217	22 x 15 x 15 x 15	12,71	5/50
100 0165	22 x 15 x 22 x 15	12,71	5/50
100 0225*	22 x 22 x 15 x 15	12,18	5/50



ART. 1010N
Standard GASTEC/KIWA
Croce
Cross

CODICE Code	TIPO Size	PREZZO Price €	CONF. Unit/Box
100 0230*	15 x 15 x 15 x 15	8,61	5/50
100 0220	22 x 22 x 22 x 22	15,25	5/25
100 0218*	22 x 15 x 15 x 15	13,98	5/50
100 0208	22 x 15 x 22 x 15	13,98	5/50
100 0236*	22 x 22 x 15 x 15	13,40	5/50



ART. 1110
Croce
Cross

CODICE Code	TIPO Size	PREZZO Price €	CONF. Unit/Box
110 0217	18 x 18 x 18 x 18	13,26	5/50



ART. 1110N
Croce
Cross

CODICE Code	TIPO Size	PREZZO Price €	CONF. Unit/Box
110 0238*	18 x 18 x 18 x 18	13,37	5/50



ART. 1035
Standard GASTEC/KIWA
Terminale
Stop end

CODICE Code	TIPO Size	PREZZO Price €	CONF. Unit/Box
100 0150	10	1,24	10/600
100 0095	12	1,08	10/400
100 0028	15	1,49	10/350
100 0012	22	2,61	5/150
100 0098	28	3,86	5/100



ART. 1035N
Standard GASTEC/KIWA
Terminale
Stop end

CODICE Code	TIPO Size	PREZZO Price €	CONF. Unit/Box
100 0160	12	1,17	10/400
100 0134	15	1,61	10/350
100 0171	22	2,86	5/150
100 0204*	28	4,27	5/100



ART. 1135
Terminale
Stop end

CODICE Code	TIPO Size	PREZZO Price €	CONF. Unit/Box
110 0140	08	1,46	10/700
110 0027	18	2,80	10/220
110 0133	35	13,44	1/50
110 0127*	54	33,09	1/30



ART. 1135N
Terminale
Stop end

CODICE Code	TIPO Size	PREZZO Price €	CONF. Unit/Box
110 0045	18	3,08	10/220
110 0241*	35	14,78	1/80

*Fino ad esaurimento scorte / until out of stock

RACCORDI A COMPRESSIONE CON OGIVA IN OTTONE

COMPRESSION FITTINGS WITH BRASS RING



ART. 1014
Standard GASTEC/KIWA
Dado
Nut

CODICE Code	TIPO Size	PREZZO Price €	CONF. Unit/Box
100 0231	08	0,59	100/1500
100 0092	10	0,56	100/1500
100 0115	12	0,56	100/1500
100 0034	15	0,65	50/700
100 0035	22	0,91	25/400
100 0055	28	1,36	25/250



ART. 1014N
Standard GASTEC/KIWA
Dado
Nut

CODICE Code	TIPO Size	PREZZO Price €	CONF. Unit/Box
100 0240	10	0,62	100/1500
100 0232	12	0,62	100/1500
100 0186	15	0,72	50/700
100 0146	22	1,00	25/400
100 0221	28	1,48	25/250



ART. 1114
Dado
Nut

CODICE Code	TIPO Size	PREZZO Price €	CONF. Unit/Box
110 0055	18	0,83	50/600
110 0233	35	3,97	10/50
110 0226	42	4,72	10/50
110 0230	54	8,48	10/50



ART. 1114N
Dado
Nut

CODICE Code	TIPO Size	PREZZO Price €	CONF. Unit/Box
110 0235	18	0,90	50/600
110 0232	35	4,37	10/50
110 0231	42	5,19	10/50
110 0229	54	9,33	10/50



ART. 1015
Standard GASTEC/KIWA
Ogiva
Compression ring

CODICE Code	TIPO Size	PREZZO Price €	CONF. Unit/Box
100 0072	10	0,25	50/5000
100 0083	12	0,27	50/3000
100 0026	15	0,30	50/2000
100 0039	22	0,40	50/1200
100 0097	28	0,50	50/800



ART. 1115
Ogiva
Compression ring

CODICE Code	TIPO Size	PREZZO Price €	CONF. Unit/Box
110 0150*	08	0,40	50/8000
110 0179	14	0,32	50/3000
110 0163	16	0,40	50/2300
110 0077	18	0,32	50/2000
110 0198	35	1,11	50/300
110 0218	42	1,53	50/200
110 0220	54	1,87	10/130

*In rame / copper compression ring



ART. 1116
Bussola di rinforzo per tubo rame
Pipe support for copper pipe

CODICE Code	MISURA Size	PREZZO Price €	CONF. Unit/Box
110 0227	08 x 1,0	0,56	100/3500
110 0033	10 x 1,0	0,33	100/3500
110 0028	12 x 1,0	0,37	100/2500
110 0050	14 x 1,0	0,47	100/1500
110 0014	15 x 1,0	0,52	100/1300
110 0097	16 x 1,0	0,53	100/1000
110 0240	18 x 0,8	0,65	100/800
110 0013	18 x 1,0	0,64	100/800
110 0006	22 x 1,0	0,76	50/500

*Misura" si riferisce alle dimensioni del tubo
"Size" is referred to the pipe dimensions



ART. 1120
Bussola di rinforzo per tubo Pe-x
Pipe support for Pe-x pipe

CODICE Code	MISURA Size	PREZZO Price €	CONF. Unit/Box
110 0123	12 x 2,0	0,47	100/2500
110 0029	15 x 2,5	0,45	100/2000
110 0126	18 x 2,5	0,53	100/1200
110 0073	22 x 3,0	0,83	50/700
110 0122	28 x 3,0	1,41	50/400
110 0197	28 x 4,0	2,10	50/400

*Misura" si riferisce alle dimensioni del tubo
"Size" is referred to the pipe dimensions

RACCORDI A COMPRESSIONE CON OGIVA IN OTTONE

COMPRESSION FITTINGS WITH BRASS RING



ART. 1037
Standard GASTEC/KIWA
T ad angolo
Angle tee

CODICE Code	TIPO Size	PREZZO Price €	CONF. Unit/Box
100 0158*	15 x 15 x 15	7,60	10/100
100 0198*	22 x 15 x 15	10,96	5/50
100 0196*	22 x 15 x 22	11,64	5/50



ART. 1037N
Standard GASTEC/KIWA
T ad angolo
Angle tee

CODICE Code	TIPO Size	PREZZO Price €	CONF. Unit/Box
100 0143*	15 x 15 x 15	8,35	10/100
100 0163*	22 x 15 x 15	12,05	5/50
100 0139*	22 x 15 x 22	12,83	5/50



ART. 1631G
Per tubo multistrato
for multilayer pipe
Set dado + ogiva + inserto
Nut + compression ring + insert

CODICE Code	TIPO Size	PREZZO Price €	CONF. Unit/Box
144 0070	16 x 2,0 - Rif Ø 15	2,25	10/200
144 0101	16 x 2,25 - Rif Ø 15	2,81	10/200
144 0201	20 x 2,0 - Rif Ø 22	2,54	10/350
144 0222**	25 x 2,5 - Rif Ø 28	6,46	10
144 0165	26 x 3,0 - Rif Ø 28	5,89	10/150
144 0223**	32 x 3,0 - Rif Ø 35	20,13	10

** Disponibile a richiesta / available on request

RIF Ref.	TUBO MULTISTRATO Multilayer pipe	COD. ADATTATORE Adapter Cod
15	16 x 2,0	144 0070
15	16 x 2,25	144 0101
22	20 x 2,0	144 0201
28	25 x 2,5	144 0222**
28	26 x 3,0	144 0165
35	32 x 3,0	144 0223**

*Fino ad esaurimento scorte / until out of stock

RACCORDI A COMPRESSIONE CON OGIVA IN OTTONE

COMPRESSION FITTINGS WITH BRASS RING



ART. 1039

Filettatura ISO 7/EN 10226
Taper thread ISO 7/EN 10226
Standard GASTEC/KIWA

Raccordo a T femmina laterale
Lateral female tee

CODICE Code	TIPO Size	PREZZO Price €	CONF. Unit/Box
100 0062	15 x 15 x 1/2"	5,22	10/90
100 0022	22 x 22 x 1/2"	5,42	5/60
100 0112	22 x 22 x 3/4"	9,42	5/50



ART. 1039N

Filettatura ISO 7/EN 10226
Taper thread ISO 7/EN 10226
Standard GASTEC/KIWA

Raccordo a T femmina laterale
Lateral female tee

CODICE Code	TIPO Size	PREZZO Price €	CONF. Unit/Box
100 0121	15 x 15 x 1/2"	5,73	10/90
100 0096	22 x 22 x 1/2"	5,95	5/60
100 0207*	22 x 22 x 3/4"	10,35	5/50



ART. 1139

Filettatura ISO 228
Parallel thread ISO 228

Raccordo a T femmina laterale
Lateral female tee

CODICE Code	TIPO Size	PREZZO Price €	CONF. Unit/Box
110 0115	18 x 18 x 1/2"	8,14	5/70



ART. 1140

Filettatura ISO 228
Parallel thread ISO 228

Raccordo diretto con giurello
Straight fitting with lose nut

CODICE Code	TIPO Size	PREZZO Price €	CONF. Unit/Box
110 0119	15 x 1/2"	3,35	10/200
110 0159	15 x 3/4"	5,42	5/150
110 0143	22 x 3/4"	6,65	5/100

N.B.: Utilizzare le guarnizioni a corredo/supplied with washers



ART. 1141

Filettatura ISO 228
Parallel thread ISO 228

Curvo con giurello
Elbow with lose nut

CODICE Code	TIPO Size	PREZZO Price €	CONF. Unit/Box
110 0101	15 x 1/2"	4,93	10/150
110 0161	22 x 3/4"	7,56	5/100

N.B.: Utilizzare le guarnizioni a corredo/supplied with washers



ART. 1142

Raccordo diretto doppio con
spurgo - tubo rame / tubo rame
Double straight fitting with drain
copper/copper connection

CODICE Code	TIPO Size	PREZZO Price €	CONF. Unit/Box
110 0221	15 x 15	11,53	5/90
110 0222	22 x 22	12,65	5/60
110 0242*	28 x 28	15,79	5/35



ART. 1143

Curva con spurgo - tubo
rame / tubo rame
Elbow with drain off-cock
copper/copper connection

CODICE Code	TIPO Size	PREZZO Price €	CONF. Unit/Box
110 0102	22 x 22	12,65	5/50



ART. 1144

Filettatura ISO 228
Curva con spurgo - tubo
rame / maschio
Elbow with drain off-cock cop-
per/male connection

CODICE Code	TIPO Size	PREZZO Price €	CONF. Unit/Box
110 0173	22 x 3/4"	11,62	5/60

TABELLA DI SERRAGGIO DADO FOLLE ART. 1140-1141 n° giri/LOOSE NUT TIGHTENING TABLE ART. 1140-1141 n° turns

CODICE/CODE	110 0119	110 0159	110 0143	110 0101	110 0161
N. GIRI/TURNS	max 1/2	max 1/4	max 1/4	max 1/2	max 1/4

*Fino ad esaurimento scorte/until out of stock

RACCORDI A COMPRESSIONE CON OGIVA IN OTTONE

COMPRESSION FITTINGS WITH BRASS RING



ART. 1147-1147CZ
Bussola di riduzione
Reducing bush



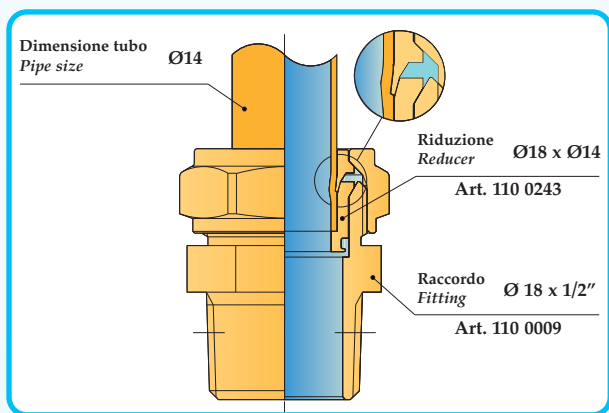
ART. 1145
Filettatura ISO 228
Parallel thread ISO 228

Attacco per serbatoi
Tank connector

CODICE Code	TIPO Size	PREZZO Price €	CONF. Unit/Box
110 0243*	18 x 14	2,45	25/750
110 0025	18 x 16	2,17	25/750
110 0176	35 x 28	4,98	5/130
110 0205	42 x 28	7,36	1/120
110 0215	42 x 35	8,05	1/120
110 0210	54 x 28	15,13	1/60
110 0225	54 x 35	15,28	1/60
110 0212*	54 x 42	16,17	1/60
113 0197*	10 x 08	2,55	25/1500
113 0157	12 x 08	4,92	25/1300
113 0045	12 x 10	1,11	25/1300
113 0202	15 x 08	1,75	25/900
113 0062	15 x 10	1,52	25/900
113 0026	15 x 12	1,27	25/900
113 0079	18 x 12	2,31	25/750
113 0018	18 x 15	1,88	25/750
113 0083	22 x 12	2,03	25/500
113 0028	22 x 15	1,50	25/500
113 0022	22 x 18	2,43	25/500
113 0152	28 x 15	2,32	25/300
113 0067	28 x 22	2,45	10/300

CODICE Code	TIPO Size	PREZZO Price €	CONF. Unit/Box
110 0117	15	4,20	10/130
110 0062	22	5,87	5/70
110 0113	28	8,18	5/50
110 0182	35	15,19	1/40
110 0194	42	23,21	1/25
110 0164	54	44,01	1/20

Art. 1147 ESEMPIO DI INSTALLAZIONE TIPICA EXAMPLE OF TYPICAL INSTALLATION



Le bussole di riduzione art. 1147G sono indicate unicamente per l'impiego con tubi di rame o di acciaio calibrato; per ogni altra applicazione contattare il nostro Ufficio Tecnico.

Al fine di assicurare una maggiore facilità di montaggio ed una migliore tenuta, è assolutamente necessario lubrificare le bussole con olio o grasso idoneo per acqua potabile, in modo tale da ottenere una deformazione omogenea.

- Per le operazioni di serraggio del raccordo procedere come segue:
- serrare a mano il raccordo per quanto possibile
 - con una chiave serrare ancora per 1/4 di giro sino alla rottura dell'ogiva
 - completare il serraggio secondo il numero di giri indicato in tabella.

Reducing bush art. 1147G is suitable only for copper pipes or calibrated steel pipes, for any other application please contact our Technical Service.

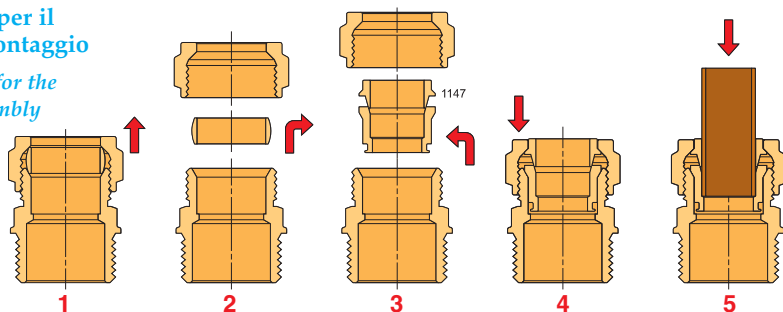
The bush must be lubricated with potable oil or grease in order to allow a more uniform strain and also to obtain an easier assembling.

Fitting assembling:

- screw the nut manually as much as possible
- by a spanner screw the nut for a 1/4 of turn till the ring breaks
- finally screw again the nut according to the number of turns indicated in the table.

Istruzioni per il corretto montaggio

Instruction for the correct assembly



1. Raccordo a compressione per tubo rame
Compression fitting for copper pipe
2. Eliminare l'ogiva in ottone
Remove the brass ring
3. Inserire la bussola di rinforzo
Place the reducing bush
4. Avvitare il dado sul raccordo
Screw the nut without tight
5. Infilare il tubo e procedere al serraggio
Put the pipe and tight as shown in table below

CODICE Code	ROTTURA Breaking p.	GIRI SERRAGGIO Tighten turns	
113 0197	1/4	min. 1	max. 1 1/4
113 0045	1/4	min. 1	max. 1 1/4
113 0202	1/4	min. 1	max. 1 1/4
113 0062	1/4	min. 1	max. 1 1/4
113 0026	1/4	min. 1 1/4	max. 1 1/2
113 0079	1/4	min. 1	max. 1 1/4
110 0243	1/4	min. 1	max. 1 1/4
113 0018	1/4	min. 1	max. 1 1/4
110 0025	1/4	min. 1	max. 1 1/4
113 0083	1/4	min. 1 1/4	max. 1 1/2

CODICE Code	ROTTURA Breaking p.	GIRI SERRAGGIO Tighten turns	
113 0028	1/4	min. 1 1/4	max. 1 1/2
113 0022	1/4	min. 1	max. 1 1/4
113 0152	1/4	min. 1	max. 1 1/4
113 0067	1/4	min. 1	max. 1 1/4
110 0176	1/4	min. 1	max. 1 1/4
110 0205	1/4	min. 3/4	max. 1
110 0215	1/4	min. 3/4	max. 1
110 0210	1/4	min. 3/4	max. 1
110 0225	1/4	min. 3/4	max. 1
110 0212*	1/4	min. 3/4	max. 1

*Fino ad esaurimento scorte/ until out of stock

RACCORDI A COMPRESSIONE CON OGIVA IN OTTONE

COMPRESSION FITTINGS WITH BRASS RING

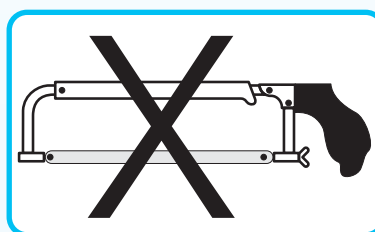
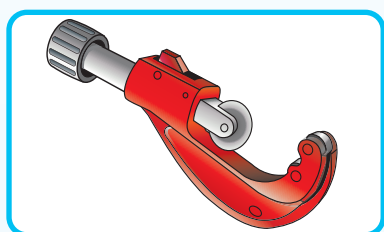
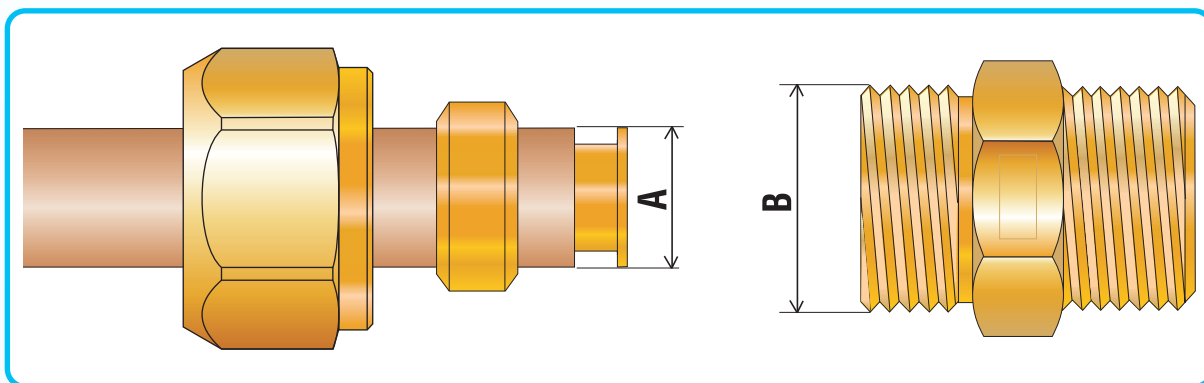


TABELLA FILETTATURE/THREADS TABLE

A	08	10	12	14	15	18	22	28	35	42	54
B	G 1/4"	9/16-24 UNEF-24	G 3/8"	G 1/2"	G 1/2"	M24 x 1,5	W 1"1/8 x 1/14	W 1"3/8 x 1/14	W 42,06 x 14Tpi	W 49,5 x 11Tpi	W 63,5 x 11Tpi

TABELLA DI SERRAGGIO DADO - n° giri/NUT TIGHTENING TABLE - n. turns

A	08	10	12	14	15	16	18	22	28	35	42	54
N° GIRI/TURNS	1-1/4	1-1/4	1-1/4	1-1/4	1-1/4	1-1/4	1-1/4	1-1/4	1	1	1	1
COPPIA DI SERRAGGIO NUT TIGHTENING COUPLE	13 Nm	15 Nm	25 Nm	75 Nm	70 Nm	75 Nm	85 Nm	110 Nm	125 Nm	225 Nm	390 Nm	560 Nm

In rosso le misure della serie 1000/Red colour measure of 1000 series

ISTRUZIONI PER IL CORRETTO MONTAGGIO

TAGLIO DEL TUBO

È consigliabile eseguire il taglio del tubo rame con appositi strumenti che consentono un taglio senza bave e perfettamente perpendicolare all'asse del tubo.

SBAVATURA E PULITURA DEL TUBO

Sbavare bene il tubo e pulirlo per eliminare eventuali trucioli residui.

Utilizzando tubo in rame ricotto usare la bussola di rinforzo art. 1116

MONTAGGIO DEL RACCORDO

Infilare dado e ogiva sul tubo. Avvitare il dado a mano per quanto consentito, poi in base alla misura del tubo rame chiudere con chiave come da tabella.

N.B.: Al fine di assicurare una maggiore facilità di montaggio ed una miglior tenuta è consigliabile lubrificare le ogive con olio o grasso, idoneo per acqua potabile.

INSTRUCTIONS FOR THE CORRECT ASSEMBLING

PIPE CUTTING

Use the appropriate instruments which allow a precise cut, perpendicular and without any trimming.

PIPE CLEANING

Clear the pipe carefully in order to remove any remaining trimming. For soft copper pipe use pipe support art. 1116

ASSEMBLING OF THE FITTING

Put the nut and the ring on the pipe. Tighten the nut by hand as much as possible then use a key following the above table.

N.B.: It is necessary to lubricate the ring with potable oil or grease to allow a more uniform and plastic strain and make easier the assembly.